



Published on Free Software Magazine (<http://www.freesoftwaremagazine.com>)

Writing device drivers in Linux: A brief tutorial

A quick and easy intro to writing device drivers for Linux like a true kernel developer!

By Xavier Calbet

“Do you pine for the nice days of Minix-1.1, when men were men and wrote their own device drivers?” *Linus Torvalds*

Pre-requisites

In order to develop Linux device drivers, it is necessary to have an understanding of the following:

- **C programming.** Some in-depth knowledge of C programming is needed, like pointer usage, bit manipulating functions, etc.
- **Microprocessor programming.** It is necessary to know how microcomputers work internally: memory addressing, interrupts, etc. All of these concepts should be familiar to an assembler programmer.

There are several different devices in Linux. For simplicity, this brief tutorial will only cover type `char` devices loaded as modules. Kernel 2.6.x will be used (in particular, kernel 2.6.8 under Debian Sarge, which is now Debian Stable).

User space and kernel space

When you write device drivers, it's important to make the distinction between “user space” and “kernel space”.

- **Kernel space.** Linux (which is a kernel) manages the machine's hardware in a simple and efficient manner, offering the user a simple and uniform programming interface. In the same way, the kernel, and in particular its device drivers, form a bridge or interface between the end-user/programmer and the hardware. Any subroutines or functions forming part of the kernel (modules and device drivers, for example) are considered to be part of kernel space.
- **User space.** End-user programs, like the UNIX `shell` or other GUI based applications (`kprinter` for example), are part of the user space. Obviously, these applications need to interact with the system's hardware. However, they don't do so directly, but through the kernel supported functions.

All of this is shown in figure 1.

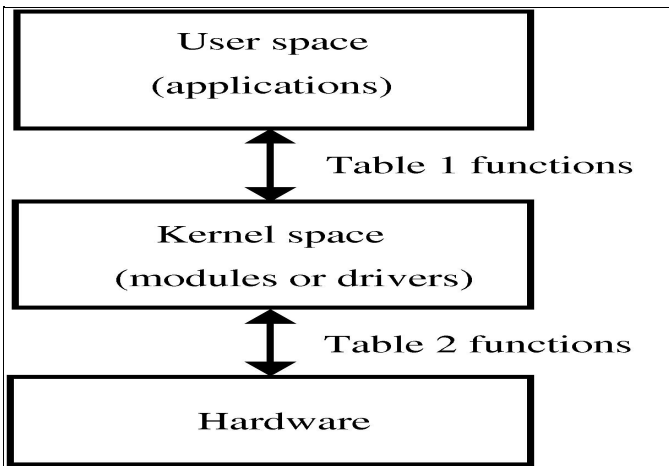


Figure 1: User space where applications reside, and kernel space where modules or device drivers reside

Interfacing functions between user space and kernel space

The kernel offers several subroutines or functions in user space, which allow the end-user application programmer to interact with the hardware. Usually, in UNIX or Linux systems, this dialogue is performed through functions or subroutines in order to read and write files. The reason for this is that in Unix devices are seen, from the point of view of the user, as files.

On the other hand, in kernel space Linux also offers several functions or subroutines to perform the low level interactions directly with the hardware, and allow the transfer of information from kernel to user space.

Usually, for each function in user space (allowing the use of devices or files), there exists an equivalent in kernel space (allowing the transfer of information from the kernel to the user and vice-versa). This is shown in Table 1, which is, at this point, empty. It will be filled when the different device drivers concepts are introduced.

Events	User functions	Kernel functions
Load module		
Open device		
Read device		
Write device		
Close device		
Remove module		

Table 1. Device driver events and their associated interfacing functions in kernel space and user space.

Interfacing functions between kernel space and the hardware device

There are also functions in kernel space which control the device or exchange information between the kernel and the hardware. Table 2 illustrates these concepts. This table will also be filled as the concepts are introduced.

Events Kernel functions

Read data

Write data

Table 2. Device driver events and their associated functions between kernel space and the hardware device.

The first driver: loading and removing the driver in user space

I'll now show you how to develop your first Linux device driver, which will be introduced in the kernel as a module.

For this purpose I'll write the following program in a file named `nothing.c`

<nothing.c> =

```
#include <linux/module.h>
MODULE_LICENSE("Dual BSD/GPL");
```

Since the release of kernel version 2.6.x, compiling modules has become slightly more complicated. First, you need to have a complete, compiled kernel source-code-tree. If you have a Debian Sarge system, you can follow the steps in Appendix B (towards the end of this article). In the following, I'll assume that a kernel version 2.6.8 is being used.

Next, you need to generate a makefile. The makefile for this example, which should be named `Makefile`, will be:

<Makefile1> =

```
obj-m := nothing.o
```

Unlike with previous versions of the kernel, it's now also necessary to compile the module using the same kernel that you're going to load and use the module with. To compile it, you can type:

```
$ make -C /usr/src/kernel-source-2.6.8 M=pwd modules
```

This extremely simple module belongs to kernel space and will form part of it once it's loaded.

In user space, you can load the module as root by typing the following into the command line:

```
# insmod nothing.ko
```

The `insmod` command allows the installation of the module in the kernel. However, this particular module isn't of much use.

It is possible to check that the module has been installed correctly by looking at all installed modules:

```
# lsmod
```

Finally, the module can be removed from the kernel using the command:

```
# rmmod nothing
```

By issuing the `lsmod` command again, you can verify that the module is no longer in the kernel.

The summary of all this is shown in Table 3.

Events	User functions	Kernel functions
Load module	<code>insmod</code>	
Open device		
Read device		
Write device		
Close device		
Remove module	<code>rmmod</code>	

Table 3. Device driver events and their associated interfacing functions between kernel space and user space.

The “Hello world” driver: loading and removing the driver in kernel space

When a module device driver is loaded into the kernel, some preliminary tasks are usually performed like resetting the device, reserving RAM, reserving interrupts, and reserving input/output ports, etc.

These tasks are performed, in kernel space, by two functions which need to be present (and explicitly declared): `module_init` and `module_exit`; they correspond to the user space commands `insmod` and `rmmod`, which are used when installing or removing a module. To sum up, the user commands `insmod` and `rmmod` use the kernel space functions `module_init` and `module_exit`.

Let’s see a practical example with the classic program `Hello world`:

```
<hello.c> =  
  
#include <linux/init.h>  
#include <linux/module.h>  
#include <linux/kernel.h>  
  
MODULE_LICENSE("Dual BSD/GPL");  
  
static int hello_init(void) {  
    printk("<1> Hello world!\n");  
    return 0;  
}  
  
static void hello_exit(void) {  
    printk("<1> Bye, cruel world\n");  
}  
  
module_init(hello_init);  
module_exit(hello_exit);
```

Writing device drivers in Linux: A brief tutorial

The actual functions `hello_init` and `hello_exit` can be given any name desired. However, in order for them to be identified as the corresponding loading and removing functions, they have to be passed as parameters to the functions `module_init` and `module_exit`.

The `printk` function has also been introduced. It is very similar to the well known `printf` apart from the fact that it only works inside the kernel. The `<1>` symbol shows the high priority of the message (low number). In this way, besides getting the message in the kernel system log files, you should also receive this message in the system console.

This module can be compiled using the same command as before, after adding its name into the Makefile.

```
<Makefile2> =
```

```
obj-m := nothing.o hello.o
```

In the rest of the article, I have left the Makefiles as an exercise for the reader. A complete Makefile that will compile all of the modules of this tutorial is shown in Appendix A.

When the module is loaded or removed, the messages that were written in the `printk` statement will be displayed in the system console. If these messages do not appear in the console, you can view them by issuing the `dmesg` command or by looking at the system log file with `cat /var/log/syslog`.

Table 4 shows these two new functions.

Events	User functions	Kernel functions
Load module	<code>insmod</code>	<code>module_init()</code>
Open device		
Read device		
Write device		
Close device		
Remove module	<code>rmmmod</code>	<code>module_exit()</code>

Table 4. Device driver events and their associated interfacing functions between kernel space and user space.

The complete driver “memory”: initial part of the driver

I’ll now show how to build a complete device driver: `memory.c`. This device will allow a character to be read from or written into it. This device, while normally not very useful, provides a very illustrative example since it is a complete driver; it’s also easy to implement, since it doesn’t interface to a real hardware device (besides the computer itself).

To develop this driver, several new `#include` statements which appear frequently in device drivers need to be added:

```
<memory initial> =
```

```
/* Necessary includes for device drivers */
```

The complete driver “memory”: initial part of the driver

Writing device drivers in Linux: A brief tutorial

```
#include <linux/init.h>
#include <linux/config.h>
#include <linux/module.h>
#include <linux/kernel.h> /* printk() */
#include <linux/slab.h> /* kmalloc() */
#include <linux/fs.h> /* everything... */
#include <linux/errno.h> /* error codes */
#include <linux/types.h> /* size_t */
#include <linux/proc_fs.h>
#include <linux/fcntl.h> /* O_ACCMODE */
#include <asm/system.h> /* cli(), *_flags */
#include <asm/uaccess.h> /* copy_from/to_user */

MODULE_LICENSE("Dual BSD/GPL");

/* Declaration of memory.c functions */
int memory_open(struct inode *inode, struct file *filp);
int memory_release(struct inode *inode, struct file *filp);
ssize_t memory_read(struct file *filp, char *buf, size_t count, loff_t *f_pos);
ssize_t memory_write(struct file *filp, char *buf, size_t count, loff_t *f_pos);
void memory_exit(void);
int memory_init(void);

/* Structure that declares the usual file */
/* access functions */
struct file_operations memory_fops = {
    read: memory_read,
    write: memory_write,
    open: memory_open,
    release: memory_release
};

/* Declaration of the init and exit functions */
module_init(memory_init);
module_exit(memory_exit);

/* Global variables of the driver */
/* Major number */
int memory_major = 60;
/* Buffer to store data */
char *memory_buffer;
```

After the `#include` files, the functions that will be defined later are declared. The common functions which are typically used to manipulate files are declared in the definition of the `file_operations` structure. These will also be explained in detail later. Next, the initialization and exit functions—used when loading and removing the module—are declared to the kernel. Finally, the global variables of the driver are declared: one of them is the `major` number of the driver, the other is a pointer to a region in memory, `memory_buffer`, which will be used as storage for the driver data.

The “memory” driver: connection of the device with its files

In UNIX and Linux, devices are accessed from user space in exactly the same way as files are accessed. These device files are normally subdirectories of the `/dev` directory.

To link normal files with a kernel module two numbers are used: `major` number and `minor` number. The `major` number is the one the kernel uses to link a file with its driver. The `minor` number is for

Writing device drivers in Linux: A brief tutorial

internal use of the device and for simplicity it won't be covered in this article.

To achieve this, a file (which will be used to access the device driver) must be created, by typing the following command as root:

```
# mknod /dev/memory c 60 0
```

In the above, `c` means that a `char` device is to be created, `60` is the `major` number and `0` is the `minor` number.

Within the driver, in order to link it with its corresponding `/dev` file in kernel space, the `register_chrdev` function is used. It is called with three arguments: `major` number, a string of characters showing the module name, and a `file_operations` structure which links the call with the file functions it defines. It is invoked, when installing the module, in this way:

<memory init module> =

```
int memory_init(void) {
    int result;

    /* Registering device */
    result = register_chrdev(memory_major, "memory", &memory_fops);
    if (result < 0) {
        printk(
            "<1>memory: cannot obtain major number %d\n", memory_major);
        return result;
    }

    /* Allocating memory for the buffer */
    memory_buffer = kmalloc(1, GFP_KERNEL);
    if (!memory_buffer) {
        result = -ENOMEM;
        goto fail;
    }
    memset(memory_buffer, 0, 1);

    printk("<1>Inserting memory module\n");
    return 0;

fail:
    memory_exit();
    return result;
}
```

Also, note the use of the `kmalloc` function. This function is used for memory allocation of the buffer in the device driver which resides in kernel space. Its use is very similar to the well known `malloc` function. Finally, if registering the `major` number or allocating the memory fails, the module acts accordingly.

The “memory” driver: removing the driver

In order to remove the module inside the `memory_exit` function, the function `unregister_chrdev` needs to be present. This will free the `major` number for the kernel.

<memory exit module> =

Writing device drivers in Linux: A brief tutorial

```
void memory_exit(void) {
    /* Freeing the major number */
    unregister_chrdev(memory_major, "memory");

    /* Freeing buffer memory */
    if (memory_buffer) {
        kfree(memory_buffer);
    }

    printk("<1>Removing memory module\n");
}
}
```

The buffer memory is also freed in this function, in order to leave a clean kernel when removing the device driver.

The “memory” driver: opening the device as a file

The kernel space function, which corresponds to opening a file in user space (`fopen`), is the member `open` of the `file_operations` structure in the call to `register_chrdev`. In this case, it is the `memory_open` function. It takes as arguments: an `inode` structure, which sends information to the kernel regarding the major number and minor number; and a `file` structure with information relative to the different operations that can be performed on a file. Neither of these functions will be covered in depth within this article.

When a file is opened, it’s normally necessary to initialize driver variables or reset the device. In this simple example, though, these operations are not performed.

The `memory_open` function can be seen below:

<memory open> =

```
int memory_open(struct inode *inode, struct file *filp) {
    /* Success */
    return 0;
}
```

This new function is now shown in Table 5.

Events	User functions	Kernel functions
Load module	<code>insmod</code>	<code>module_init()</code>
Open device	<code>fopen</code>	<code>file_operations: open</code>
Read device		
Write device		
Close device		
Remove module	<code>rmmod</code>	<code>module_exit()</code>

Table 5. Device driver events and their associated interfacing functions between kernel space and user space.

The “memory” driver: closing the device as a file

The corresponding function for closing a file in user space (`fclose`) is the `release`: member of the `file_operations` structure in the call to `register_chrdev`. In this particular case, it is the function `memory_release`, which has as arguments an `inode` structure and a `file` structure, just like before.

When a file is closed, it’s usually necessary to free the used memory and any variables related to the opening of the device. But, once again, due to the simplicity of this example, none of these operations are performed.

The `memory_release` function is shown below:

<memory release> =

```
int memory_release(struct inode *inode, struct file *filp) {
    /* Success */
    return 0;
}
```

This new function is shown in Table 6.

Events	User functions	Kernel functions
Load module	<code>insmod</code>	<code>module_init()</code>
Open device	<code>fopen</code>	<code>file_operations: open</code>
Read device		
Write device		
Close device	<code>fclose</code>	<code>file_operations: release</code>
Remove module	<code>rmmmod</code>	<code>module_exit()</code>

Table 6. Device driver events and their associated interfacing functions between kernel space and user space.

The “memory” driver: reading the device

To read a device with the user function `fread` or similar, the member `read`: of the `file_operations` structure is used in the call to `register_chrdev`. This time, it is the function `memory_read`. Its arguments are: a type `file` structure; a buffer (`buf`), from which the user space function (`fread`) will read; a counter with the number of bytes to transfer (`count`), which has the same value as the usual counter in the user space function (`fread`); and finally, the position of where to start reading the file (`f_pos`).

In this simple case, the `memory_read` function transfers a single byte from the driver buffer (`memory_buffer`) to user space with the function `copy_to_user`:

<memory read> =

```
ssize_t memory_read(struct file *filp, char *buf,
                   size_t count, loff_t *f_pos) {
    /* Transferring data to user space */
    copy_to_user(buf, memory_buffer, 1);
}
```

Writing device drivers in Linux: A brief tutorial

```
/* Changing reading position as best suits */
if (*f_pos == 0) {
    *f_pos+=1;
    return 1;
} else {
    return 0;
}
}
```

The reading position in the file (`f_pos`) is also changed. If the position is at the beginning of the file, it is increased by one and the number of bytes that have been properly read is given as a return value, 1. If not at the beginning of the file, an end of file (0) is returned since the file only stores one byte.

In Table 7 this new function has been added.

Events	User functions	Kernel functions
Load module	<code>insmod</code>	<code>module_init()</code>
Open device	<code>fopen</code>	<code>file_operations: open</code>
Read device	<code>fread</code>	<code>file_operations: read</code>
Write device		
Close device	<code>fclose</code>	<code>file_operations: release</code>
Remove modules	<code>rmmod</code>	<code>module_exit()</code>

Table 7. Device driver events and their associated interfacing functions between kernel space and user space.

The “memory” driver: writing to a device

To write to a device with the user function `fwrite` or similar, the member `write:` of the `file_operations` structure is used in the call to `register_chrdev`. It is the function `memory_write`, in this particular example, which has the following as arguments: a type file structure; `buf`, a buffer in which the user space function (`fwrite`) will write; `count`, a counter with the number of bytes to transfer, which has the same values as the usual counter in the user space function (`fwrite`); and finally, `f_pos`, the position of where to start writing in the file.

<memory write> =

```
ssize_t memory_write( struct file *filp, char *buf,
                    size_t count, loff_t *f_pos) {

    char *tmp;

    tmp=buf+count-1;
    copy_from_user(memory_buffer,tmp,1);
    return 1;
}
```

In this case, the function `copy_from_user` transfers the data from user space to kernel space.

In Table 8 this new function is shown.

Events	User functions	Kernel functions
Load module	insmod	module_init()
Open device	fopen	file_operations: open
Close device	fread	file_operations: read
Write device	fwrite	file_operations: write
Close device	fclose	file_operations: release
Remove module	rmmod	module_exit()

Device driver events and their associated interfacing functions between kernel space and user space.

The complete “memory” driver

By joining all of the previously shown code, the complete driver is achieved:

```
<memory.c> =  
  
<memory initial>  
<memory init module>  
<memory exit module>  
<memory open>  
<memory release>  
<memory read>  
<memory write>
```

Before this module can be used, you will need to compile it in the same way as with previous modules. The module can then be loaded with:

```
# insmod memory.ko
```

It’s also convenient to unprotect the device:

```
# chmod 666 /dev/memory
```

If everything went well, you will have a device `/dev/memory` to which you can write a string of characters and it will store the last one of them. You can perform the operation like this:

```
$ echo -n abcdef >/dev/memory
```

To check the content of the device you can use a simple `cat`:

```
$ cat /dev/memory
```

The stored character will not change until it is overwritten or the module is removed.

The real “parlelport” driver: description of the parallel port

I’ll now proceed by modifying the driver that I just created to develop one that does a real task on a real device. I’ll use the simple and ubiquitous computer parallel port and the driver will be called `parlelport`.

The parallel port is effectively a device that allows the input and output of digital information. More specifically it has a female D-25 connector with twenty-five pins. Internally, from the point of view of the CPU, it uses three bytes of memory. In a PC, the base address (the one from the first byte of the device) is usually $0x378$. In this basic example, I'll use just the first byte, which consists entirely of digital outputs.

The connection of the above-mentioned byte with the external connector pins is shown in figure 2.

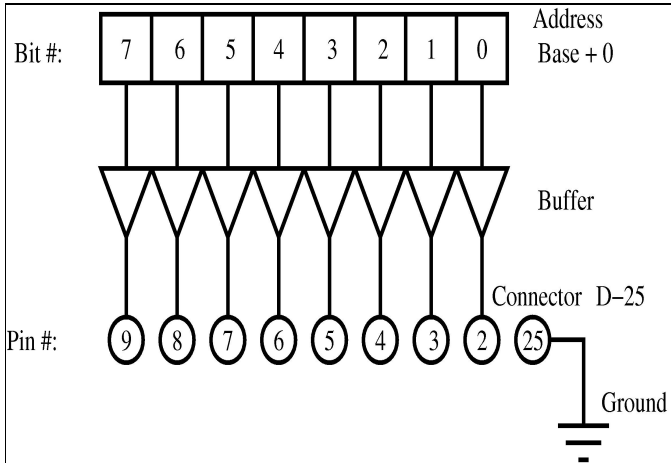


Figure 2: The first byte of the parallel port and its pin connections with the external female D-25 connector

The “parlelport” driver: initializing the module

The previous `memory_init` function needs modification—changing the RAM memory allocation for the reservation of the memory address of the parallel port ($0x378$). To achieve this, use the function for checking the availability of a memory region (`check_region`), and the function to reserve the memory region for this device (`request_region`). Both have as arguments the base address of the memory region and its length. The `request_region` function also accepts a string which defines the module.

<parlelport modified init module> =

```
/* Registering port */
port = check_region(0x378, 1);
if (port) {
    printk("<1>parlelport: cannot reserve 0x378\n");
    result = port;
    goto fail;
}
request_region(0x378, 1, "parlelport");
```

The “parlelport” driver: removing the module

It will be very similar to the `memory` module but substituting the freeing of memory with the removal of the reserved memory of the parallel port. This is done by the `release_region` function, which has the same arguments as `check_region`.

<parlelport modified exit module> =

```
/* Make port free! */
if (!port) {
```

```
    release_region(0x378,1);
}
```

The “parlelport” driver: reading the device

In this case, a real device reading action needs to be added to allow the transfer of this information to user space. The `inb` function achieves this; its arguments are the address of the parallel port and it returns the content of the port.

<parlelport inport> =

```
/* Reading port */
parlelport_buffer = inb(0x378);
```

Table 9 (the equivalent of Table 2) shows this new function.

Events	Kernel functions
--------	------------------

Read data	<code>inb</code>
-----------	------------------

Write data	
------------	--

Device driver events and their associated functions between kernel space and the hardware device.

The “parlelport” driver: writing to the device

Again, you have to add the “writing to the device” function to be able to transfer later this data to user space. The function `outb` accomplishes this; it takes as arguments the content to write in the port and its address.

<parlelport outport> =

```
/* Writing to the port */
outb(parlelport_buffer,0x378);
```

Table 10 summarizes this new function.

Events	Kernel functions
--------	------------------

Read data	<code>inb</code>
-----------	------------------

Write data	<code>outb</code>
------------	-------------------

Device driver events and their associated functions between kernel space and the hardware device.

The complete “parlelport” driver

I’ll proceed by looking at the whole code of the `parlelport` module. You have to replace the word `memory` for the word `parlelport` throughout the code for the `memory` module. The final result is shown below:

<parlelport.c> =

```
<parlelport initial>
<parlelport init module>
```

Writing device drivers in Linux: A brief tutorial

```
<parlelport exit module>
<parlelport open>
<parlelport release>
<parlelport read>
<parlelport write>
```

Initial section

In the initial section of the driver a different major number is used (61). Also, the global variable `memory_buffer` is changed to `port` and two more `#include` lines are added: `ioport.h` and `io.h`.

```
<parlelport initial> =
```

```
/* Necessary includes for drivers */
#include <linux/init.h>
#include <linux/config.h>
#include <linux/module.h>
#include <linux/kernel.h> /* printk() */
#include <linux/slab.h> /* kcalloc() */
#include <linux/fs.h> /* everything... */
#include <linux/errno.h> /* error codes */
#include <linux/types.h> /* size_t */
#include <linux/proc_fs.h>
#include <linux/fcntl.h> /* O_ACCMODE */
#include <linux/ioport.h>
#include <asm/system.h> /* cli(), *_flags */
#include <asm/uaccess.h> /* copy_from/to_user */
#include <asm/io.h> /* inb, outb */

MODULE_LICENSE("Dual BSD/GPL");

/* Function declaration of parlelport.c */
int parlelport_open(struct inode *inode, struct file *filp);
int parlelport_release(struct inode *inode, struct file *filp);
ssize_t parlelport_read(struct file *filp, char *buf,
                        size_t count, loff_t *f_pos);
ssize_t parlelport_write(struct file *filp, char *buf,
                         size_t count, loff_t *f_pos);
void parlelport_exit(void);
int parlelport_init(void);

/* Structure that declares the common */
/* file access fcuntions */
struct file_operations parlelport_fops = {
    read: parlelport_read,
    write: parlelport_write,
    open: parlelport_open,
    release: parlelport_release
};

/* Driver global variables */
/* Major number */
int parlelport_major = 61;

/* Control variable for memory */
/* reservation of the parallel port*/
int port;

module_init(parlelport_init);
module_exit(parlelport_exit);
```

Initial section

Module init

In this module-initializing-routine I'll introduce the memory reserve of the parallel port as was described before.

<parlelport init module> =

```
int parlelport_init(void) {
    int result;

    /* Registering device */
    result = register_chrdev(parlelport_major, "parlelport",
        &parlelport_fops);
    if (result < 0) {
        printk(
            "<1>parlelport: cannot obtain major number %d\n",
            parlelport_major);
        return result;
    }

    <parlelport modified init module>

    printk("<1>Inserting parlelport module\n");
    return 0;

fail:
    parlelport_exit();
    return result;
}
```

Removing the module

This routine will include the modifications previously mentioned.

<parlelport exit module> =

```
void parlelport_exit(void) {

    /* Make major number free! */
    unregister_chrdev(parlelport_major, "parlelport");

    <parlelport modified exit module>

    printk("<1>Removing parlelport module\n");
}
```

Opening the device as a file

This routine is identical to the memory driver.

<parlelport open> =

```
int parlelport_open(struct inode *inode, struct file *filp) {

    /* Success */
    return 0;
}
```

```
}
```

Closing the device as a file

Again, the match is perfect.

<parlelport release> =

```
int parlelport_release(struct inode *inode, struct file *filp) {
    /* Success */
    return 0;
}
```

Reading the device

The reading function is similar to the `memory` one with the corresponding modifications to read from the port of a device.

<parlelport read> =

```
ssize_t parlelport_read(struct file *filp, char *buf,
    size_t count, loff_t *f_pos) {
    /* Buffer to read the device */
    char parlelport_buffer;

    <parlelport inport>

    /* We transfer data to user space */
    copy_to_user(buf, &parlelport_buffer, 1);

    /* We change the reading position as best suits */
    if (*f_pos == 0) {
        *f_pos+=1;
        return 1;
    } else {
        return 0;
    }
}
```

Writing to the device

It is analogous to the `memory` one except for writing to a device.

<parlelport write> =

```
ssize_t parlelport_write( struct file *filp, char *buf,
    size_t count, loff_t *f_pos) {
    char *tmp;

    /* Buffer writing to the device */
    char parlelport_buffer;
```



```
tmp=buf+count-1;
copy_from_user(&parlelport_buffer,tmp,1);

<parlelport output>

return 1;
}
```

LEDs to test the use of the parallel port

In this section I'll detail the construction of a piece of hardware that can be used to visualize the state of the parallel port with some simple LEDs.

WARNING: Connecting devices to the parallel port can harm your computer. Make sure that you are properly earthed and your computer is turned off when connecting the device. Any problems that arise due to undertaking these experiments is your sole responsibility.

The circuit to build is shown in figure 3 You can also read "PC & Electronics: Connecting Your PC to the Outside World" by Zoller as reference.

In order to use it, you must first ensure that all hardware is correctly connected. Next, switch off the PC and connect the device to the parallel port. The PC can then be turned on and all device drivers related to the parallel port should be removed (for example, `lp`, `parport`, `parport_pc`, etc.). The `hotplug` module of the Debian Sarge distribution is particularly annoying and should be removed. If the file `/dev/parlelport` does not exist, it must be created as root with the command:

```
# mknod /dev/parlelport c 61 0
```

Then it needs to be made readable and writable by anybody with:

```
# chmod 666 /dev/parlelport
```

The module can now be installed, `parlelport`. You can check that it is effectively reserving the input/output port addresses `0x378` with the command:

```
$ cat /proc/ioports
```

To turn on the LEDs and check that the system is working, execute the command:

```
$ echo -n A >/dev/parlelport
```

This should turn on LED zero and six, leaving all of the others off.

You can check the state of the parallel port issuing the command:

```
$ cat /dev/parlelport
```

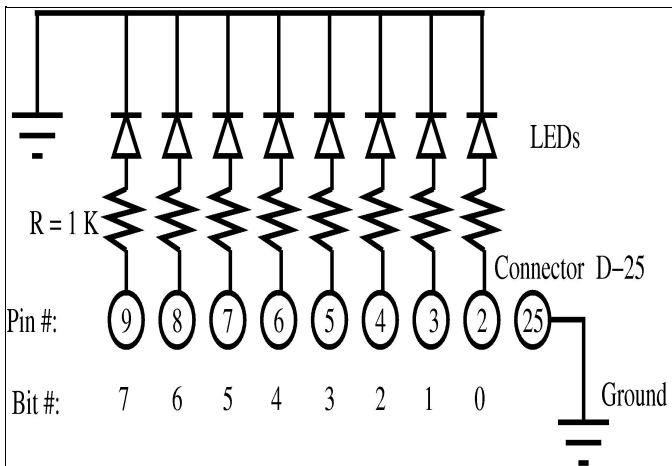


Figure 3: Electronic diagram of the LED matrix to monitor the parallel port

Final application: flashing lights

Finally, I'll develop a pretty application which will make the LEDs flash in succession. To achieve this, a program in user space needs to be written with which only one bit at a time will be written to the `/dev/parlelport` device.

`<lights.c> =`

```
#include <stdio.h>
#include <unistd.h></p>

int main() {
    unsigned char byte,dummy;
    FILE * PARLELPORT;

    /* Opening the device parlelport */
    PARLELPORT=fopen("/dev/parlelport","w");
    /* We remove the buffer from the file i/o */
    setvbuf(PARLELPORT,&dummy,_IONBF,1);

    /* Initializing the variable to one */
    byte=1;

    /* We make an infinite loop */
    while (1) {
        /* Writing to the parallel port */
        /* to turn on a LED */
        printf("Byte value is %d\n",byte);
        fwrite(&byte,1,1,PARLELPORT);
        sleep(1);

        /* Updating the byte value */
        byte<<=1;
        if (byte == 0) byte = 1;
    }

    fclose(PARLELPORT);
}
```

It can be compiled in the usual way:

```
$ gcc -o lights lights.c
```

and can be executed with the command:

```
$ lights
```

The lights will flash successively one after the other! The flashing LEDs and the Linux computer running this program are shown in figure 4.

Conclusion

Having followed this brief tutorial you should now be capable of writing your own complete device driver for simple hardware like a relay board (see Appendix C), or a minimal device driver for complex hardware. Learning to understand some of these simple concepts behind the Linux kernel allows you, in a quick and easy way, to get up to speed with respect to writing device drivers. And, this will bring you another step closer to becoming a true Linux kernel developer.

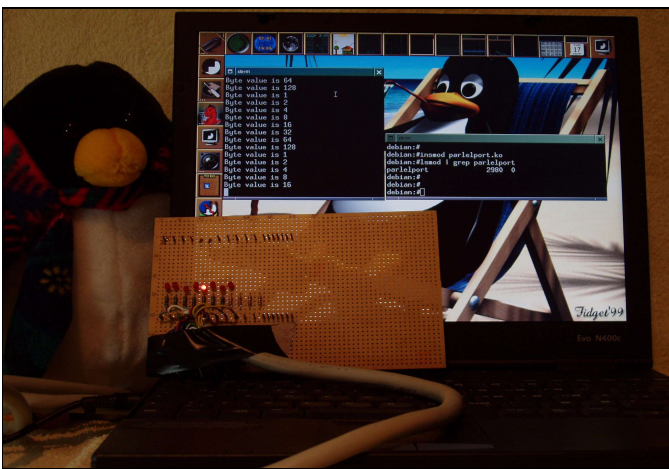


Figure 4: Flashing LEDs mounted on the circuit board and the computer running Linux. Two terminals are shown: one where the “parlelport” module is loaded and another one where the “lights” program is run. Tux is closely following what is going on

Bibliography

A. Rubini, J. Corbert. 2001. [Linux device drivers \(second edition\)](#). Ed. O’Reilly. This book is available for free on the internet.

Jonathan Corbet. 2003/2004. [Porting device drivers to the 2.6 kernel](#). This is a very valuable resource for porting drivers to the new 2.6 Linux kernel and also for learning about Linux device drivers.

B. Zoller. 1998. *PC & Electronics: Connecting Your PC to the Outside World (Productivity Series)*. Nowadays it is probably easier to surf the web for hardware projects like this one.

M. Waite, S. Prata. 1990. *C Programming*. Any other good book on C programming would suffice.

Appendix A. Complete Makefile

<Makefile> =

```
obj-m := nothing.o hello.o memory.o parlelport.o
```

Appendix B. Compiling the kernel on a Debian Sarge system

To compile a 2.6.x kernel on a Debian Sarge system you need to perform the following steps, which should be run as root:

1. Install the “kernel-image-2.6.x” package.
2. Reboot the machine to make this the running kernel image. This is done semi-automatically by Debian. You may need to tweak the lilo configuration file `/etc/lilo.conf` and then run `lilo` to achieve this.
3. Install the “kernel-source-2.6.x” package.
4. Change to the source code directory, `cd /usr/src` and `unzip` and `untar` the source code with `bunzip2 kernel-source-2.6.x.tar.bz2` and `tar xvf kernel-source-2.6.x.tar`. Change to the kernel source directory with `cd /usr/src/kernel-source-2.6.x`
5. Copy the default Debian kernel configuration file to your local kernel source directory `cp /boot/config-2.6.x .config`.
6. Make the kernel and the modules with `make` and then `make modules`.

Appendix C. Exercises

If you would like to take on some bigger challenges, here are a couple of exercises you can do:

1. I once wrote two device drivers for two ISA [Meilhaus](#) boards, an analog to digital converter (ME26) and a relay control board (ME53). The software is available from the [ADQ](#) project. Get the newer PCI versions of these Meilhaus boards and update the software.
2. Take any device that doesn't work on Linux, but has a very similar chipset to another device which does have a proven device driver for Linux. Try to modify the working device driver to make it work for the new device. If you achieve this, submit your code to the kernel and become a kernel developer yourself!

Comments and acknowledgements

Three years have elapsed since the [first version](#) of this document was written. It was originally written in Spanish and intended for version 2.2 of the kernel, but kernel 2.4 was already making its first steps at that time. The reason for this choice is that good documentation for writing device drivers, the **Linux device drivers** book (see bibliography), lagged the release of the kernel in some months. This new version is also coming out soon after the release of the new 2.6 kernel, but up to date documentation is now readily available in [Linux Weekly News](#) making it possible to have this document synchronized with the newest kernel.

Writing device drivers in Linux: A brief tutorial

Fortunately enough, PCs still come with a built-in parallel port, despite the actual trend of changing everything inside a PC to render it obsolete in no time. Let us hope that PCs still continue to have built-in parallel ports for some time in the future, or that at least, parallel port PCI cards are still being sold.

This tutorial has been originally typed using a text editor (i.e. `emacs`) in `noweb` format. This text is then processed with the `noweb` tool to create a LaTeX file (`.tex`) and the source code files (`.c`). All this can be done using the supplied `makefile.document` with the command `make -f makefile.document`.

I would like to thank the “Instituto Politécnico de Bragança”, the “Núcleo Estudantil de Linux del Instituto Politécnico de Bragança (NUX)”, the “Associação Software Livre de Leiria” and the “Núcleo de Estudantes de Engenharia Informática da Universidade de Évora” for making this update possible.

Biography

Xavier Calbet (`/user/42` `title="View user profile.": Xavier Calbet (xcalbet AT gmail DOT com)`) is a long time free software user who started using Linux distributions in the ancient times when Slackware had to be installed using tens of floppy disks. He is currently working on his two pet projects: a meteorological field and satellite image display system, SAPO (<http://sourceforge.net/projects/sapo>), and the best available free numerical computer language to date, PDL (Perl Data Language) (<http://pdl.perl.org/>).

Copyright information

Permission is granted to copy, distribute and/or modify this document under the terms of the GNU Free Documentation License, Version 1.2 or any later version published by the Free Software Foundation; with no Invariant Sections, no Front-Cover Texts, and no Back-Cover Texts. A copy of the license is available at <http://www.gnu.org/copyleft/fdl.html>.

Source URL:

http://www.freesoftwaremagazine.com/articles/drivers_linux
